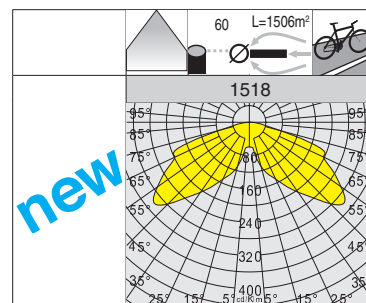
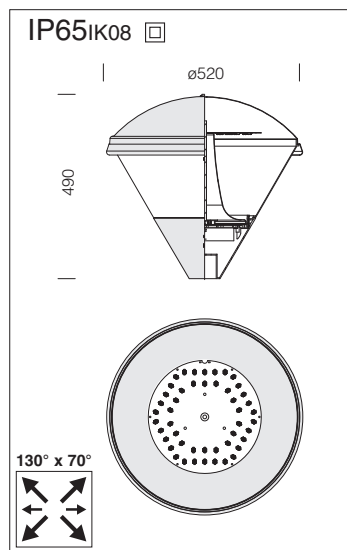


Housing: made of die-cast aluminium.

Cover: made of an aluminium plate.

Diffuser: in vandal-resistant V2 self-extinguishing polycarbonate, UV-stabilized.

Equipment: these lighting fixtures also come with an automatic temperature control device, which protects the LEDs from peak current by means of a protection diode. Complete with quick-connector for connection to the line.



LED: Clima Power LED is equipped with 30/42 latest generation LED modules with 130°x70° degrees silicone lens to obtain an elevated lighting yield. The LED module lasts 50000 hours.

1517 Clima - Power LED					
		CLD CELL		W	LED (Tj=25°C)
wattage (350mA)	colour	weight	code		K - ø1m 350mA
LED	s. silver	5.90	422372-00	30	4000K - 3900lm
LED	graphite	5.90	422373-00		
LED	s. silver	5.90	422370-00	42	4000K - 5460lm
LED	graphite	5.90	422371-00		
On request: possibility for the various options for managing the supply point (see table on p. 12).					
1518 Clima - Power LED - anti-light pollution					
		CLD CELL		W	LED (Tj=25°C)
wattage (350mA)	colour	weight	code		K - ø1m 350mA
LED	s. silver	5.90	422380-00	42	4000K - 5460lm
LED	graphite	5.90	422381-00		
On request: possibility for the various options for managing the supply point (see table on p. 12).					